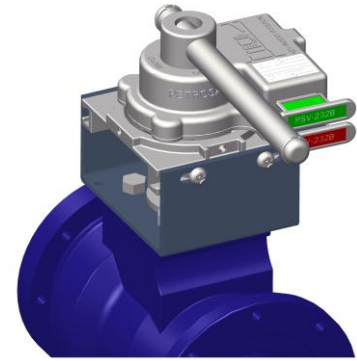
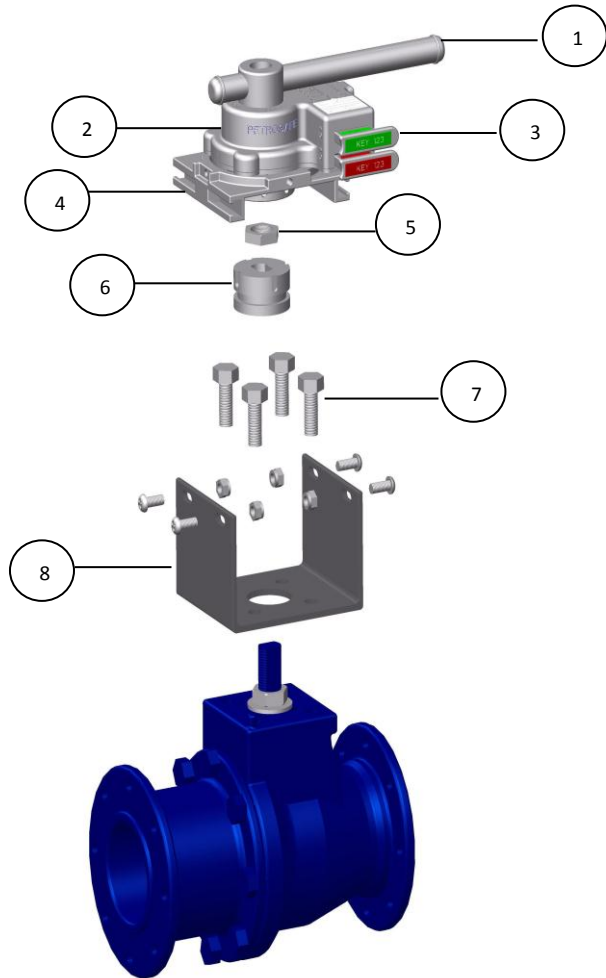


# QTL Assembly Components With Ball Valve



## LEGENDS:-

1. Handle of different sizes – SS 316
2. Interlock Body – SS 316
3. Linear Key for ease of operation – SS 316
4. Clamping Plate – SS316
5. Gland Nut – SS 316
6. Customizable Adaptor – SS 316
7. Bolts – SS 316
8. Customizable Bracket – SS 316